

# Technical data sheet

Product features



## Bain marie electric 40

<b>Model</b>	<b>SAP Code</b>	00013568
BMD-84 EM	<b>A group of articles - web</b>	Pasta cookers and Bain Marine



- Drain type: Trough the cabinet
- Drain: Yes
- Material: AISI 304
- Protection of controls: IPX5
- Maximum device temperature [°C]: 90

<b>SAP Code</b>	00013568	<b>Power electric [kW]</b>	2.850
<b>Net Width [mm]</b>	400	<b>Loading</b>	230 V / 1N - 50 Hz
<b>Net Depth [mm]</b>	800	<b>Number of GN / EN</b>	7
<b>Net Height [mm]</b>	300	<b>GN / EN size in device</b>	GN 1/9
<b>Net Weight [kg]</b>	17.00	<b>GN device depth</b>	150

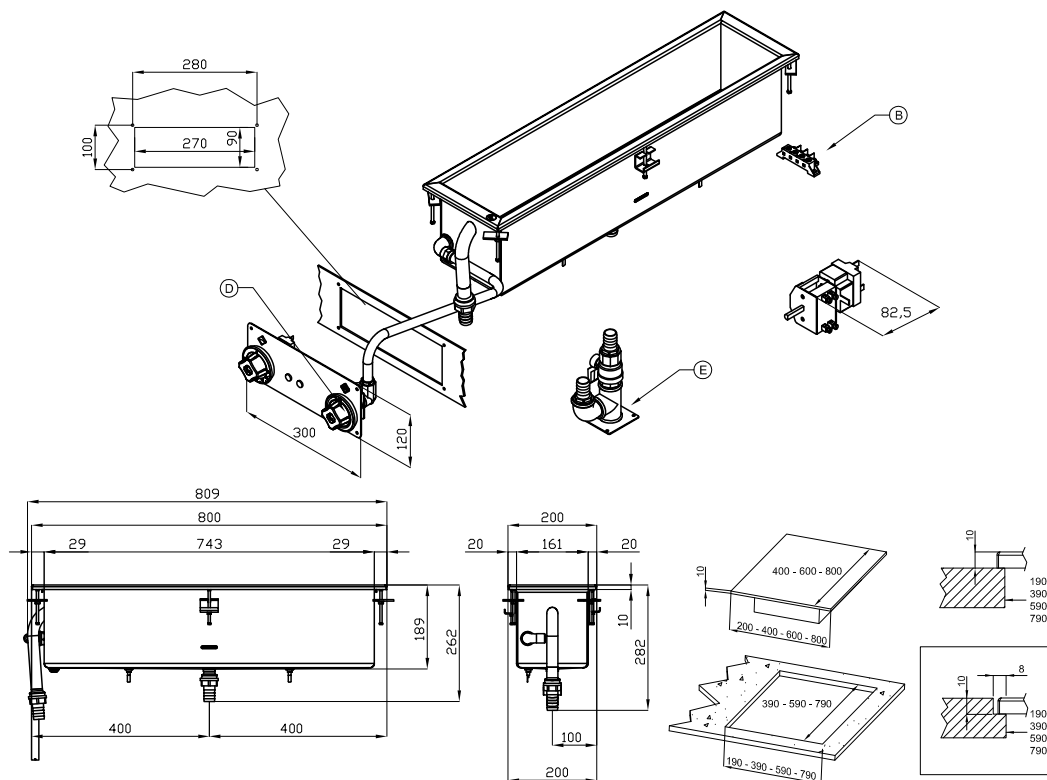
# Technical data sheet

Technical drawing



## Bain marie electric 40

<b>Model</b>	<b>SAP Code</b>	00013568
<b>BMD-84 EM</b>	<b>A group of articles - web</b>	Pasta cookers and Bain Marine



A	Data plate		B	Electrical connection	
D	Cold water connection	ISO 7-1 1/2" F	E	Water drainage	ISO 7-1 1" M

# Technical data sheet

Technical parameters



## Bain marie electric 40

<b>Model</b>	<b>SAP Code</b>	00013568
<b>BMD-84 EM</b>	<b>A group of articles - web</b>	Pasta cookers and Bain Marine

**1. SAP Code:**

00013568

**2. Net Width [mm]:**

400

**3. Net Depth [mm]:**

800

**4. Net Height [mm]:**

300

**5. Net Weight [kg]:**

17.00

**6. Gross Width [mm]:**

430

**7. Gross depth [mm]:**

970

**8. Gross Height [mm]:**

540

**9. Gross Weight [kg]:**

21.00

**10. Device type:**

Electric unit

**11. Construction type of device:**

Drop-in

**12. Power electric [kW]:**

2.850

**13. Loading:**

230 V / 1N - 50 Hz

**14. Protection of controls:**

IPX5

**15. Material:**

AISI 304

**16. Indicators:**

operation and warm-up

**17. Worktop type:**

Molded - comfortable cleaning maintenance

**18. Maximum device temperature [°C]:**

90

**19. Minimum device temperature [°C]:**

30

**20. Power control type:**

knob control

**21. Safety element:**

safety thermostat

**22. Safety thermostat:**

Yes

**23. Adjustable feet:**

Yes

**24. Additional information:**

lid and gastro utensils are not included in the package

**25. Number of basins:**

1

**26. Drain type:**

Trough the cabinet

**27. Drain:**

Yes

**28. Number of GN / EN:**

7

# Technical data sheet

Technical parameters



## Bain marie electric 40

<b>Model</b>	<b>SAP Code</b>	00013568
BMD-84 EM	<b>A group of articles - web</b>	Pasta cookers and Bain Marine

### 29. GN / EN size in device:

GN 1/9

### 32. Drain connection:

Yes

### 30. GN device depth:

150

### 33. Cross-section of conductors CU [mm<sup>2</sup>]:

0,75

### 31. Water supply connection:

1/2"